

HONEYCOMB CEILING LAMP — HCL

BRASS, 1968



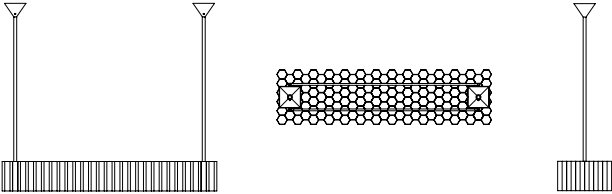
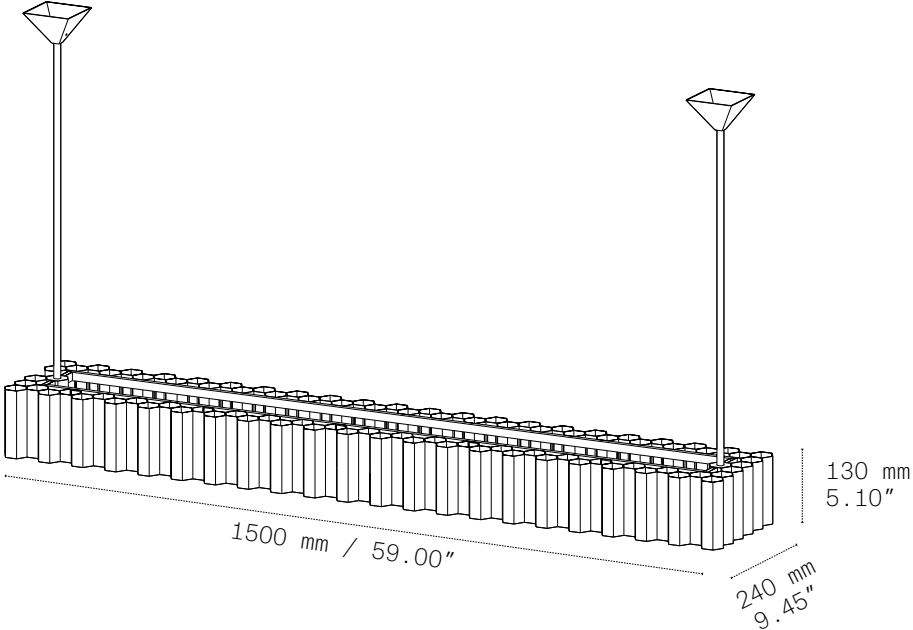
The Honeycomb Ceiling Lamp is composed of hexagonal tubes welded together. Hanged by two rods from the ceiling, the honeycomb structure is identical to that of the wall lamps Wabbes designed in 1953. The first copy of this ceiling light was probably created in 1968 for the private office of Louis De Poortere fitted out by Wabbes in Kortrijk, Belgium. The model was later sold to corporate executive offices. However, this item has remained relatively confidential, if not rare. Indeed, the light demands extreme attention in its manufacturing process. The golden light scattered by the honeycomb is particularly warm and celestial. A model of this kind was exhibited at the Wabbes retrospective in 2012 at the Palace of Fine Arts (Bozar) in Brussels.

Available on request in any length between 600 mm and 1800 mm.

INFO@JULESWABBES.COM
WWW.JULESWABBES.COM

Jules Wabbes
GENERALDECORATION

HONEYCOMB CEILING LAMP — HCL



Dimensions are approximate and may vary slightly. Custom length upon request.

FINISHES



Polished Brass
HCL-PB



Nickel-Plated Brass
HCL-NPB

DIMENSIONS (mm / inch — kg / lbs)

LENGTH	DEPTH	HEIGHT	WEIGHT
1500 / 59.00	240 / 9.45	130 / 5.10	17 / 37.48