

LARGE WALL LAMP (EXTERIOR) — W1000

BRONZE, 1969



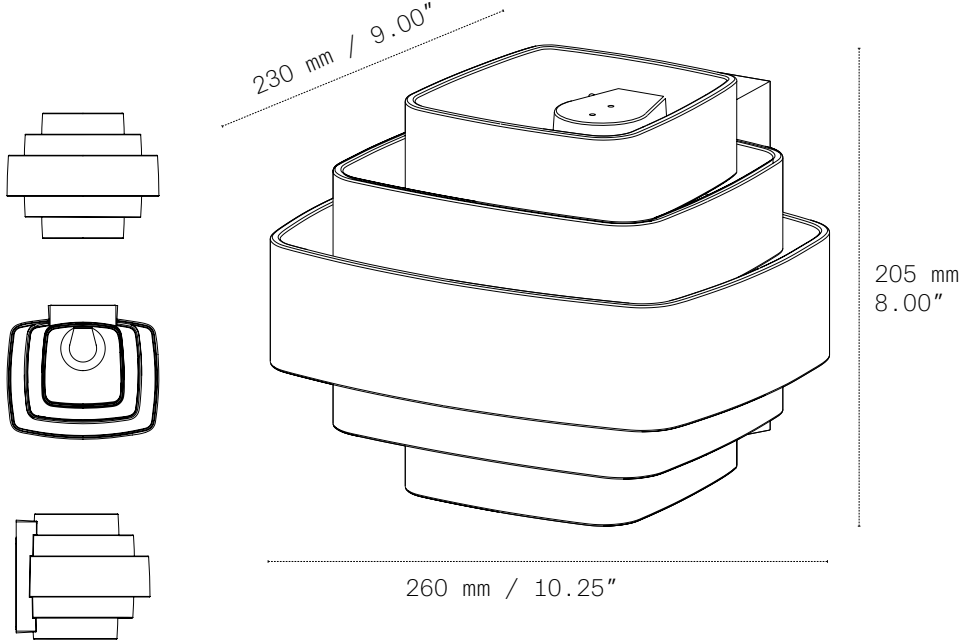
Bronze is an alloy of copper and tin. It's a highly resistant material with a beautiful dark colour that develops a patina over time and can be gilded if polished. Jules Wabbes was fascinated by noble materials and objects that could withstand the test of time. His creations are meant to express the highest quality through the use of excellent materials. Every element of the lamp serves a function, and it's a game of assembly.

Sconce made of five rings of cast bronze. The light spreads harmoniously under the bronze shade and across the rings with a magnificent effect. This lamp is suitable for indoor and outdoor use thanks to a system of glass which protects the bulb. The bronze takes a beautiful patina with time and weather.

INFO@JULESWABBES.COM
WWW.JULESWABBES.COM

Jules Wabbes
GENERALDECORATION

LARGE WALL LAMP (EXTERIOR) — W1000



Dimensions are approximate and may vary slightly.

FINISHE



Raw Bronze
W1000-R

DIMENSIONS (mm / inch — kg / lbs)

LENGHT	DEPTH	HEIGHT	WEIGHT
260 / 10.25	230 / 9.00	205 / 8.00	9.60 / 21.16